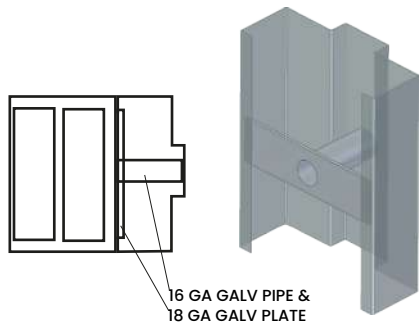


ANCHOR FRAME

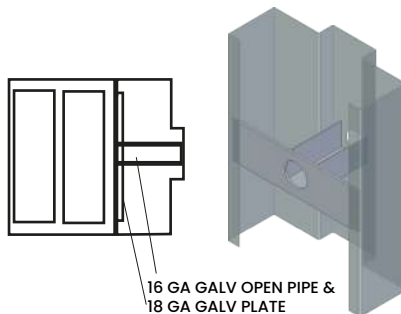
PIPE & PLATE ANCHOR



16 GA GALV PIPE &
18 GA GALV PLATE

The type of anchor used is especially intended for masonry and walls that are already installed, with no possibility of fixing the frame in another way.

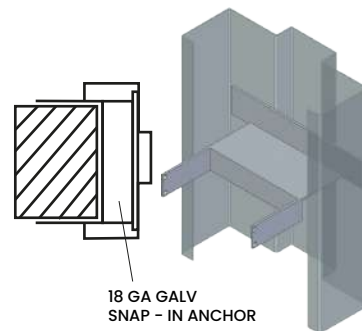
OPEN PIPE & PLATE ANCHOR



16 GA GALV OPEN PIPE &
18 GA GALV PLATE

The type of anchor used is especially intended for masonry and walls that are already installed, with no possibility of fixing the frame in another way.

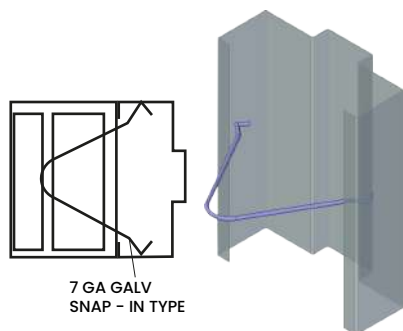
WOOD STUD ANCHOR



18 GA GALV
SNAP - IN ANCHOR

Welded into the frame to provide installers with multiple anchoring options for each wooden jamb. It is used in drywall.

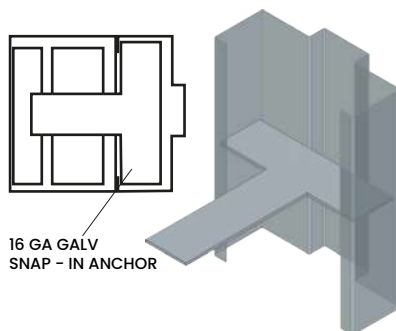
WIRE ANCHOR



7 GA GALV
SNAP - IN TYPE

These are utilized on frames affixed to a masonry block wall. They are affixed to the frame on-site to ensure they can be placed between the concrete masonry unit (CMU) blocks during wall construction.

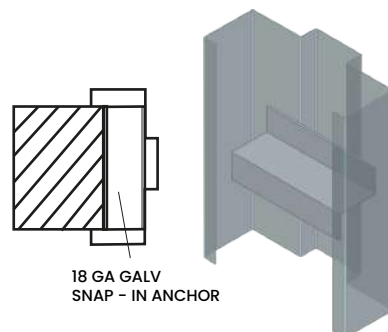
T ANCHOR



16 GA GALV
SNAP - IN ANCHOR

These are utilized on frames affixed to a masonry block wall. They are affixed to the frame on-site to ensure they can be placed between the concrete masonry unit (CMU) blocks during wall construction.

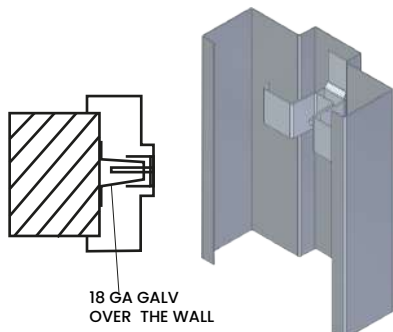
Z ANCHOR



18 GA GALV
SNAP - IN ANCHOR

The Z anchor serves for quick installation and can be accompanied by other types of anchors for doors; it can be used in masonry and drywall.

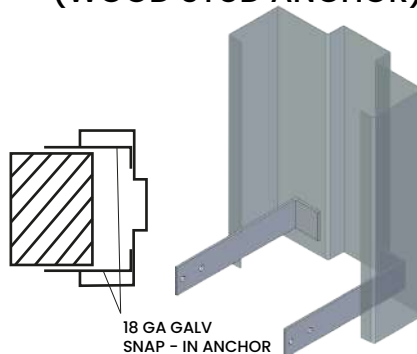
COMPRESSOR ANCHOR



18 GA GALV
OVER THE WALL

Compression anchors are supplied on knock-down (not welded), afterset frames. This frame type is typically used on stud walls that have already been drywalled.

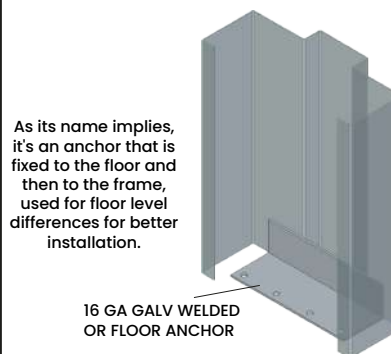
BASE ANCHOR (WOOD STUD ANCHOR)



18 GA GALV
SNAP - IN ANCHOR

The base anchors can be used with the compression anchor or individually in drywall walls. When used individually, three to five units are used depending on the height of the door.

ADJUSTABLE BASE ANCHOR

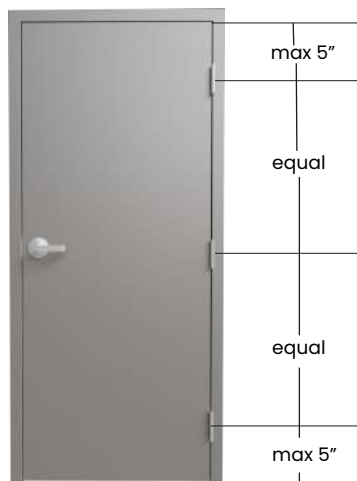
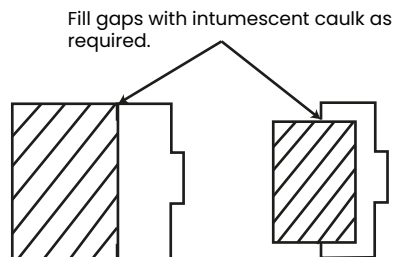


As its name implies, it's an anchor that is fixed to the floor and then to the frame, used for floor level differences for better installation.

16 GA GALV WELDED
OR FLOOR ANCHOR

FRAME INSTALLATION

Instructions for Installing Fire Door Frames



To ensure a safe environment against fires, the installation of fire door frames must be carried out with precision and attention to detail. Below are detailed instructions for welding or shimming the frames, following the guidelines established in NFPA 80:

Welding the Frame to the Building

- Use shielded metal arc welding (SMAW) to join the hollow metal frame to the building structure. The welding should have a minimum diameter of 3 inches and a length of at least 1 inch on both sides of the frame.
- Ensure that the welds are uniform and complete to ensure a solid connection between the frame and the building structure.
- Fill the spaces between the frame and the structure with intumescent caulk to prevent the spread of fire through potential openings.

Optional Shimming

- As an alternative to welding, a steel shim may be used. The shim should have a maximum thickness of 1 inch and a minimum width of 2 inches.
- Ensure the shim is welded to the building's structural members at both ends using fillet

welds with a minimum length of 2 inches and the same thickness as the shim.

Explanatory Notes:

- Elevator anchor welding locations should align with the center of the welds to ensure even load distribution.
- These anchoring guidelines apply to all profiles of fire door frames, including three or four-sided frames, transoms, sidelites, and window frames.
- The spacing between anchors should be uniform at all frame heights to maintain structural stability.
- The anchoring option described here is not suitable for sliding fire door frames.
- It is essential to avoid mixing different types of anchors within the same frame; both jambs must be securely attached to the building structure.
- Although four hinges are shown, their installation is not mandatory for all opening sizes but should be considered based on fire door specifications.
- Fire door frames with three or four sides and

joined or welded corners are acceptable per NFPA 80 standards.

- Shims used in the installation must meet manufacturer specifications and be provided by personnel trained in fire door installations.

To ensure a safe environment against fires, the installation of fire door frames must be carried out with precision and attention to detail. Below is a step-by-step guide for installing the frame, along with important recommendations:

Step 1: Site Preparation

Before starting the installation, ensure the area is clean and free from any obstructions. Verify that the building structure is level and meets the manufacturer's specifications for frame installation.

Step 2: Measurement and Alignment

Measure the size of the fire door frame accurately and mark the installation locations on the building structure, ensuring to leave additional space as per the manufacturer's recommendations.

Use a level to ensure the marks are aligned correctly and that the frame is installed vertically and level.

Step 3: Frame Preparation

Inspect the frame to ensure it is in good condition and meets all required specifications. If necessary, cut or adjust the frame to fit perfectly into the opening.

Step 4: Welding or Shimming the Frame

If welding is chosen, secure the frame in place and proceed to weld it to the building structure using shielded metal arc welding (SMAW), ensuring to follow welding and safety guidelines. Alternatively, if shimming is preferred, position the steel shim and secure it firmly before welding it to the building structure using fillet welds.

Step 5: Gap Filling

Once the frame is secured in place, fill any gaps or spaces between the frame and the building struc-

ture with intumescent caulk to ensure an effective fire barrier.

Step 6: Final Inspection and Adjustment

Conduct a final inspection of the installed frame to ensure it is correctly aligned and secured. Adjust any components as necessary to ensure a perfect fit and optimal functionality of the fire door.

Recommendations for Fire Door Installation:

- Verify and follow all door and frame manufacturer specifications.
- Conduct regular inspections of frames and doors to ensure they are in good condition and function properly.
- Train personnel on the proper handling of fire doors and fire safety measures.
- Keep areas around fire doors clear of obstructions to ensure quick evacuation in case of an emergency.
- Perform periodic operation tests to ensure doors close fully and seal properly in the event of a fire.

By following these steps with care and precision, successful installation of the fire door frame can be achieved, providing effective protection against fires and complying with relevant safety standards.